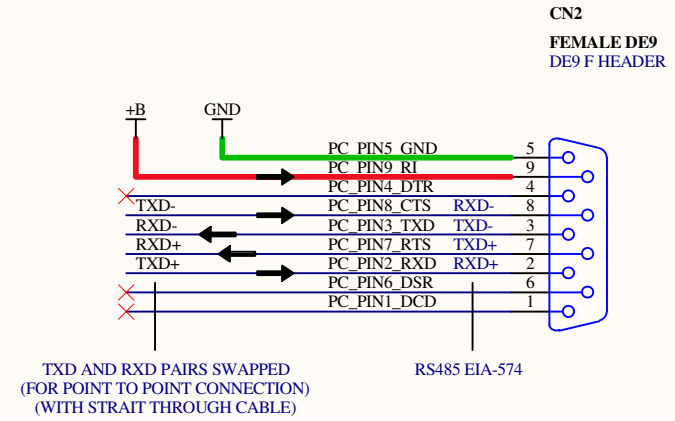
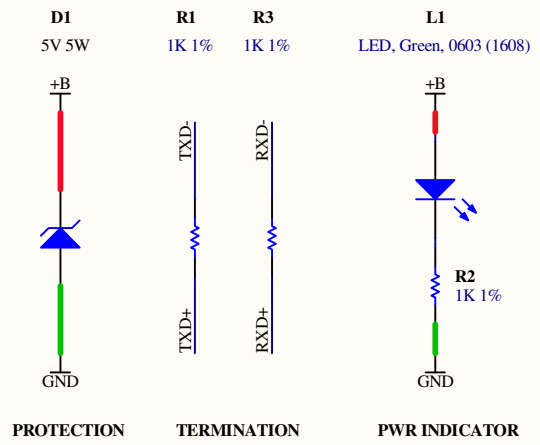
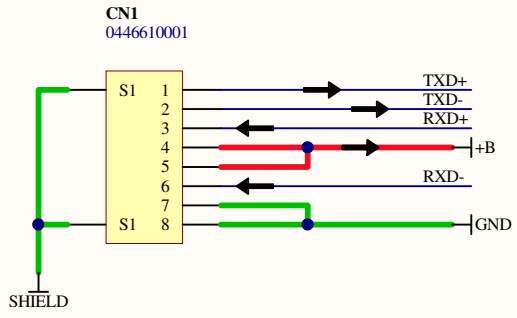


**PB09 AND PB11 RJ45**  
 IEEE802.3AF VARIANT B  
 POE COMPATIBLE T568A PIN OUT



(WITH 568A TO 568A (STRAIT THROUGH) CABLE)  
 (NOTE: NOT SUITABLE RS232 MODE)

(WITH 568A TO 568B (CROSSED OVER) CABLE)  
 (EIA-574 RS232 COMPATIBLE)

**HANDHELD DB9F**

**PB09 AND PB11 RJ45**

**HANDHELD ADAPTOR - RJ45 INPUT**

**HANDHELD ADAPTOR - DE9F OUTPUT**

**HANDHELD ADAPTOR - DE9 OUTPUT**

**NB2 RS232 PORT (DE9M)**

PIN	232	485
2	RXD	RX+
3	TXD	TX-
7	RTS	TX+
8	CTS	RX-
5	GND	GND
9	5V0	5V0

PIN	232	485
1	RTS	TX+
2	TXD	TX-
3	RXD	RX+
4	GND	GND
5	GND	GND
6	CTS	RX-
7	5V0	5V0
8	5V0	5V0

PIN	232	485
1	RTS	TX+
2	TXD	TX-
3	RXD	RX+
4	GND	GND
5	GND	GND
6	CTS	RX-
7	5V0	5V0
8	5V0	5V0

PIN	232	485
2	RTS	TX+
3	CTS	RX-
7	RXD	RX+
8	TXD	TX-
5	GND	GND
9	5V0	5V0

PIN	232	485
2	RXD	RX+
3	TXD	TX-
7	RTS	TX+
8	CTS	RX-
5	GND	GND
9	5V0	5V0

PIN	232
2	RXD
3	TXD
7	RTS
8	CTS
5	GND
9	N/C

Sheet Title <b>Device Control Port</b>		Project Organization	
Project Title <b>ProjectTitle</b>		ProjectAddress1	
Size: A4		Assy: ProjectAssyNum	Revision: ProjectRevision
Date: 9/23/2011	Time: 11:00:59 PM	Sheet 1 of ProjectTotalSheets	
File: AB04.SchDoc		ProjectAddress3 ProjectAddress4	