

1

2

3

4

A

A

B

B

C

C

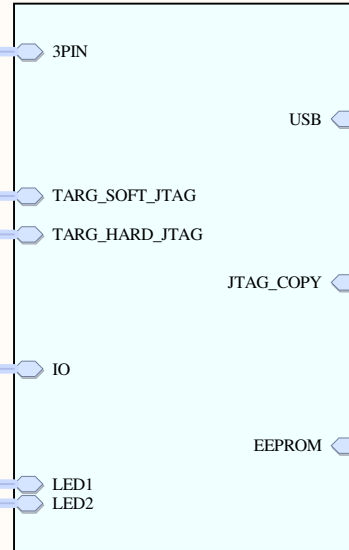
D

D

TARGET POWER ON/OFF AND RESET CONTROL
 TARGET_CTRL.SchDoc



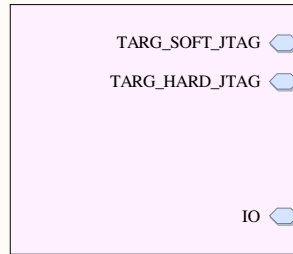
FTDI2232
 FTDI.SchDoc



USB INTERFACE
 USB_Interface.SchDoc



TARGET JTAG INTERFACE
 JTAG_Interface.SchDoc



JTAG ANALYSER INTERFACE
 JTAG_Debug.SchDoc

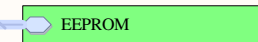


POPULATE ON PROTOTYPES ONLY

LED INDICATORS
 RGB_LEDSx2.SchDoc



MANUFACTURER SPECIFIC DATA
 EEPROM_93LC66.SchDoc



PSU_A3V3_SYS
 PSU_XC6220B33_3V3.SchDoc



BYPASS CAPACITORS
 Power_Bypass_Caps.SchDoc



DT04 HARDWARE
 DT04_Mounts.SchDoc



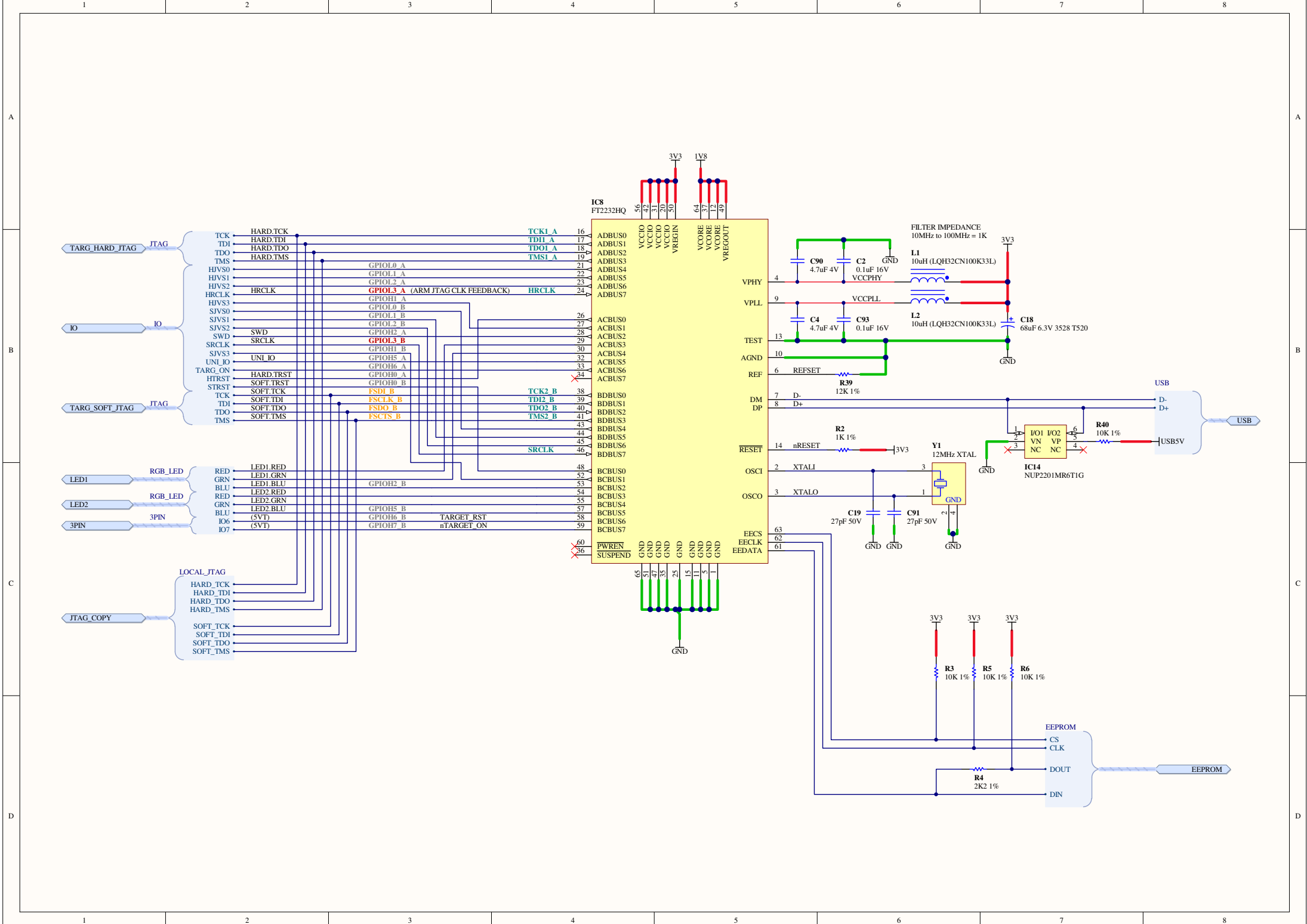
Sheet Title DT04 - USB JTAG Interface			Altium Limited L3, 12A Rodborough Road Frenchs Forest NSW 2086 Australia	
Project Title DT04 - USB JTAG Interface				
Size: A4	Assy: D-820-0014	Revision: 03		
Date: 9/22/2011	Time: 10:50:24 PM	Sheet 1 of 13		
File: DT04_Top.SchDoc				

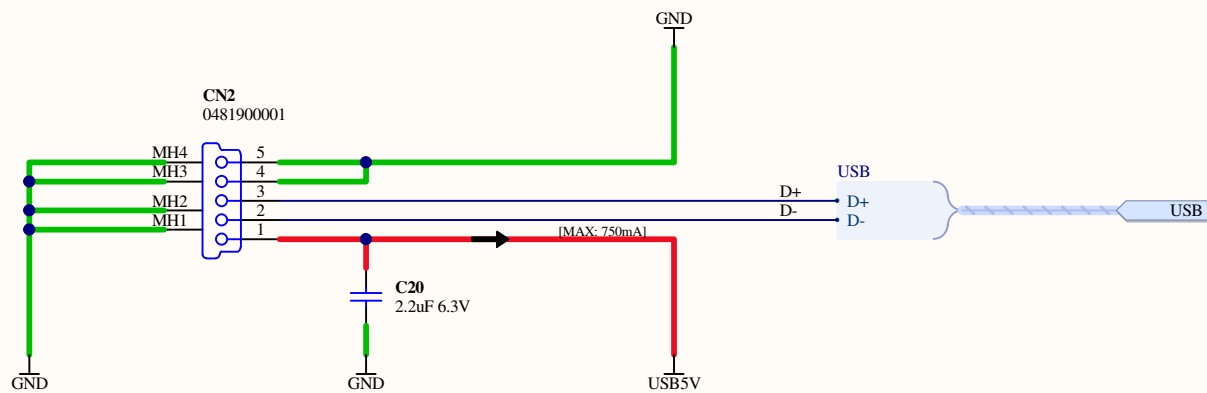
1

2

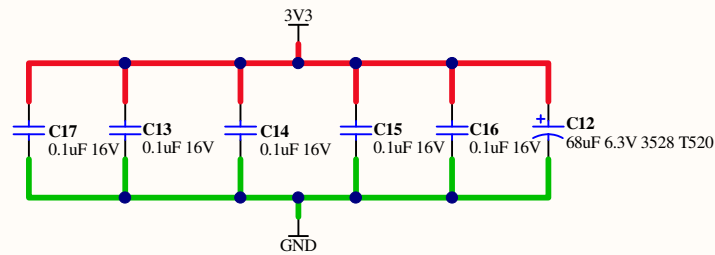
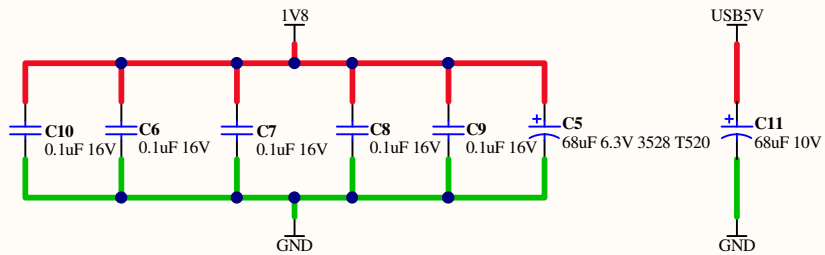
3


4

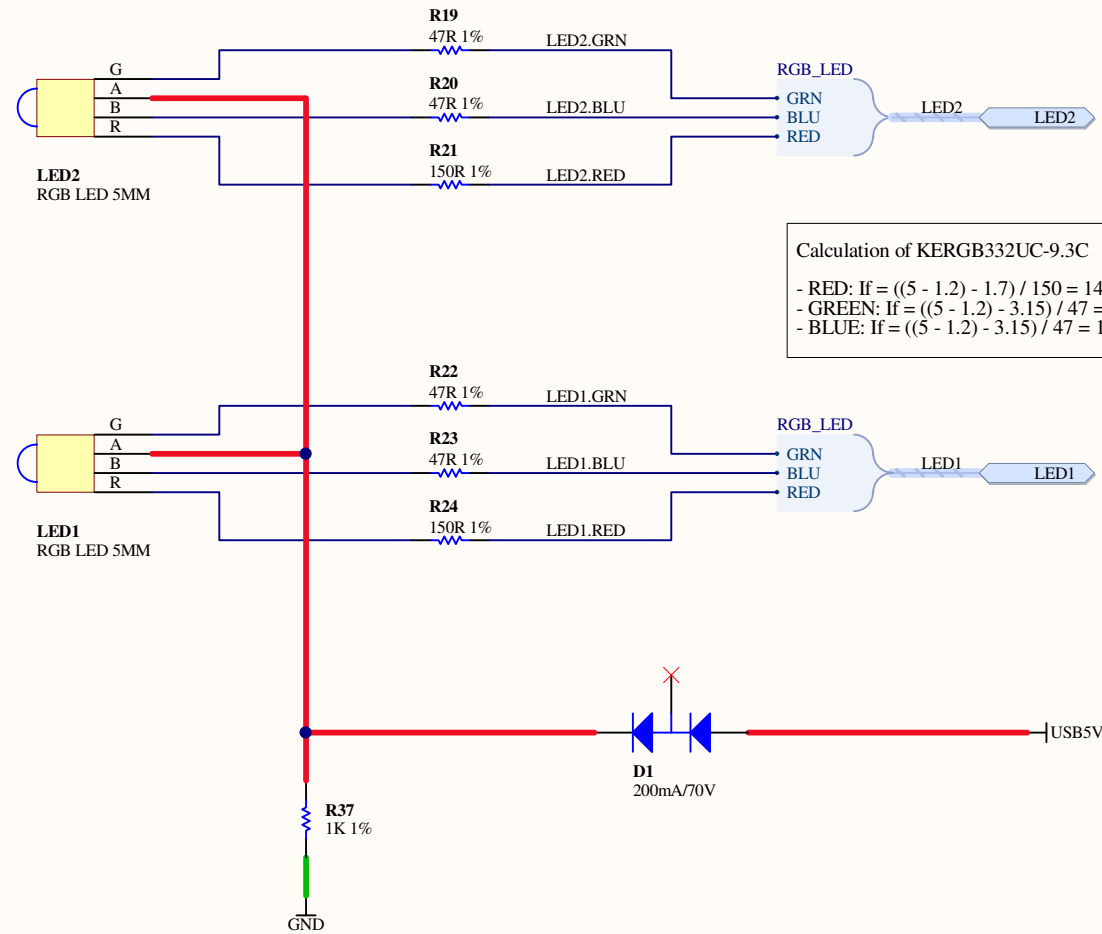




Sheet Title Mini-USB Socket			Altium Limited L3, 12A Rodborough Road Frenchs Forest NSW 2086 Australia	
Project Title DT04 - USB JTAG Interface				
Size: A4	Assy: D-820-0014	Revision: 03		
Date: 9/22/2011	Time: 10:50:24 PM	Sheet 3 of 13		
File: USB_Interface.SchDoc				




Sheet Title Power Supply Bypass Capacitors			Altium Limited L3, 12A Rodborough Road Frenchs Forest NSW 2086 Australia	
Project Title DT04 - USB JTAG Interface				
Size: A4	Assy: D-820-0014	Revision: 03		
Date: 9/22/2011	Time: 10:50:24 PM	Sheet 4 of 13		
File: Power_Bypass_Caps.SchDoc				



Calculation of KERGB332UC-9.3C

- RED: $I_f = ((5 - 1.2) - 1.7) / 150 = 14 \text{ mA}$
- GREEN: $I_f = ((5 - 1.2) - 3.15) / 47 = 14 \text{ mA}$
- BLUE: $I_f = ((5 - 1.2) - 3.15) / 47 = 14 \text{ mA}$

Sheet Title Visual Indicators			Altium Limited L3, 12A Rodborough Road Frenchs Forest NSW 2086 Australia	
Project Title DT04 - USB JTAG Interface				
Size: A4	Assy: D-820-0014	Revision: 03		
Date: 9/22/2011	Time: 10:50:24 PM	Sheet 5 of 13		
File: RGB_LEDSx2.SchDoc				

1

2

3

4

A

A

B

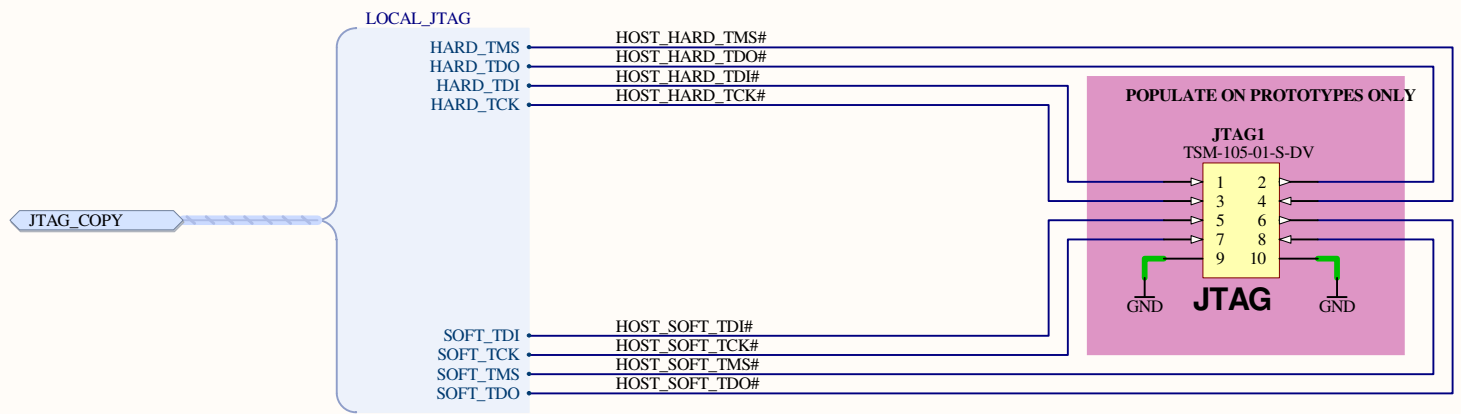
B


C

C

D

D



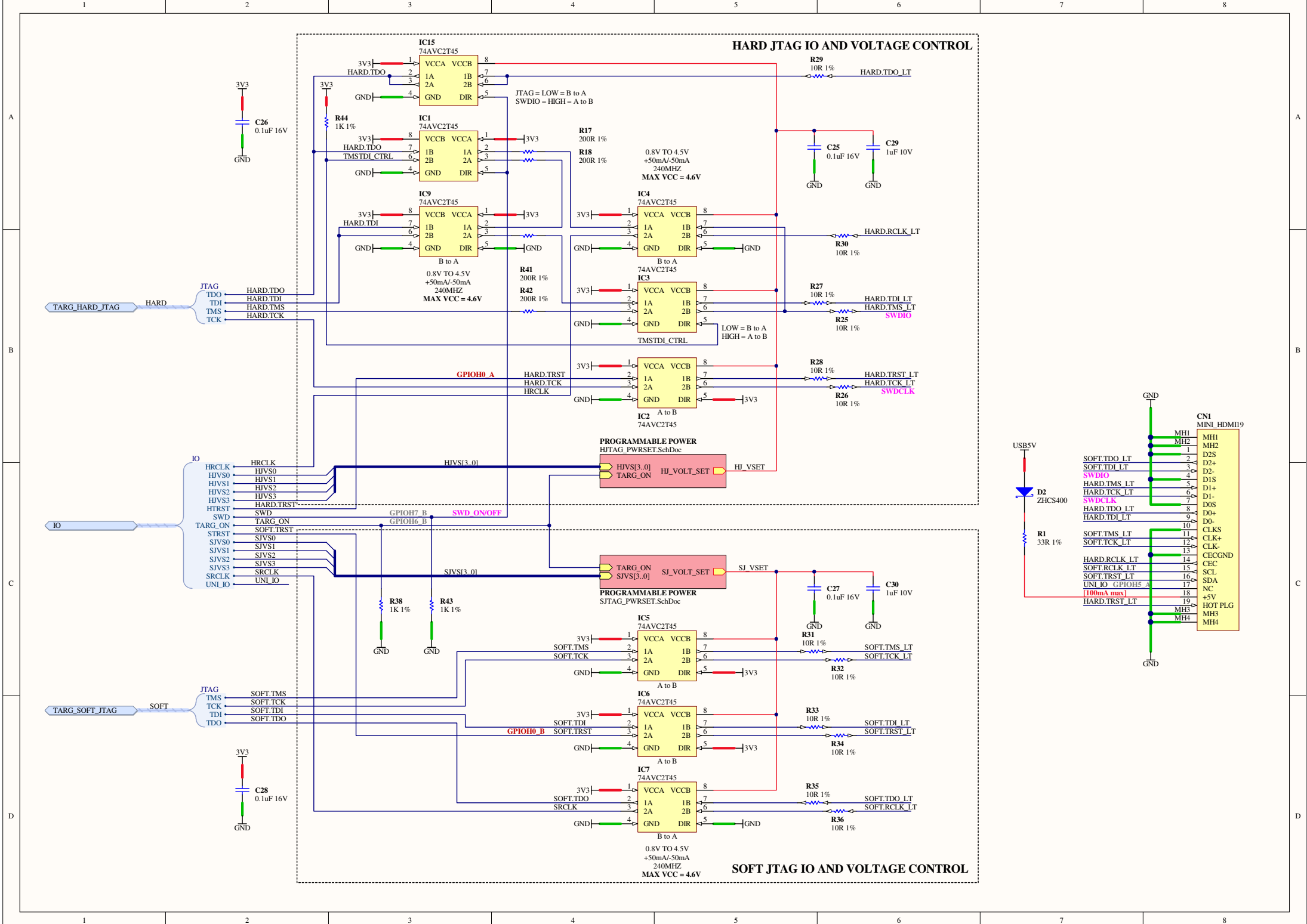
Sheet Title Local MCU Debug Connector		Altium Limited L3, 12A Rodborough Road Frenchs Forest NSW 2086 Australia		
Project Title DT04 - USB JTAG Interface				
Size: A4	Assy: D-820-0014			Revision: 03
Date: 9/22/2011	Time: 10:50:24 PM			Sheet 6 of 13
File: JTAG_Debug.SchDoc				

1

2

3

4



1

2

3

4

A

A

B

B

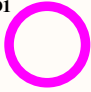
C

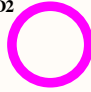
C

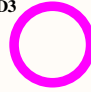
D


D

PCB1
 Printed Circuit Board (Bare)
 DT04 Blank PCB

FD1

 Fiducial - Round

FD2

 Fiducial - Round

FD3

 Fiducial - Round

Sheet Title DT04 Mounts			<i>Altium Limited</i> L3, 12A Rodborough Road Frenchs Forest NSW 2086 Australia	
Project Title DT04 - USB JTAG Interface				
Size: A4	Assy: D-820-0014	Revision: 03		
Date: 9/22/2011	Time: 10:50:25 PM	Sheet 8 of 13		
File: DT04_Mounts.SchDoc				

1

2

3

4

1

2

3

4

A

A

B

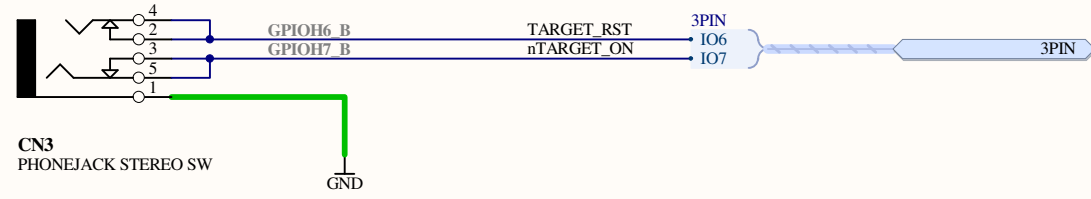
B


C

C

D

D



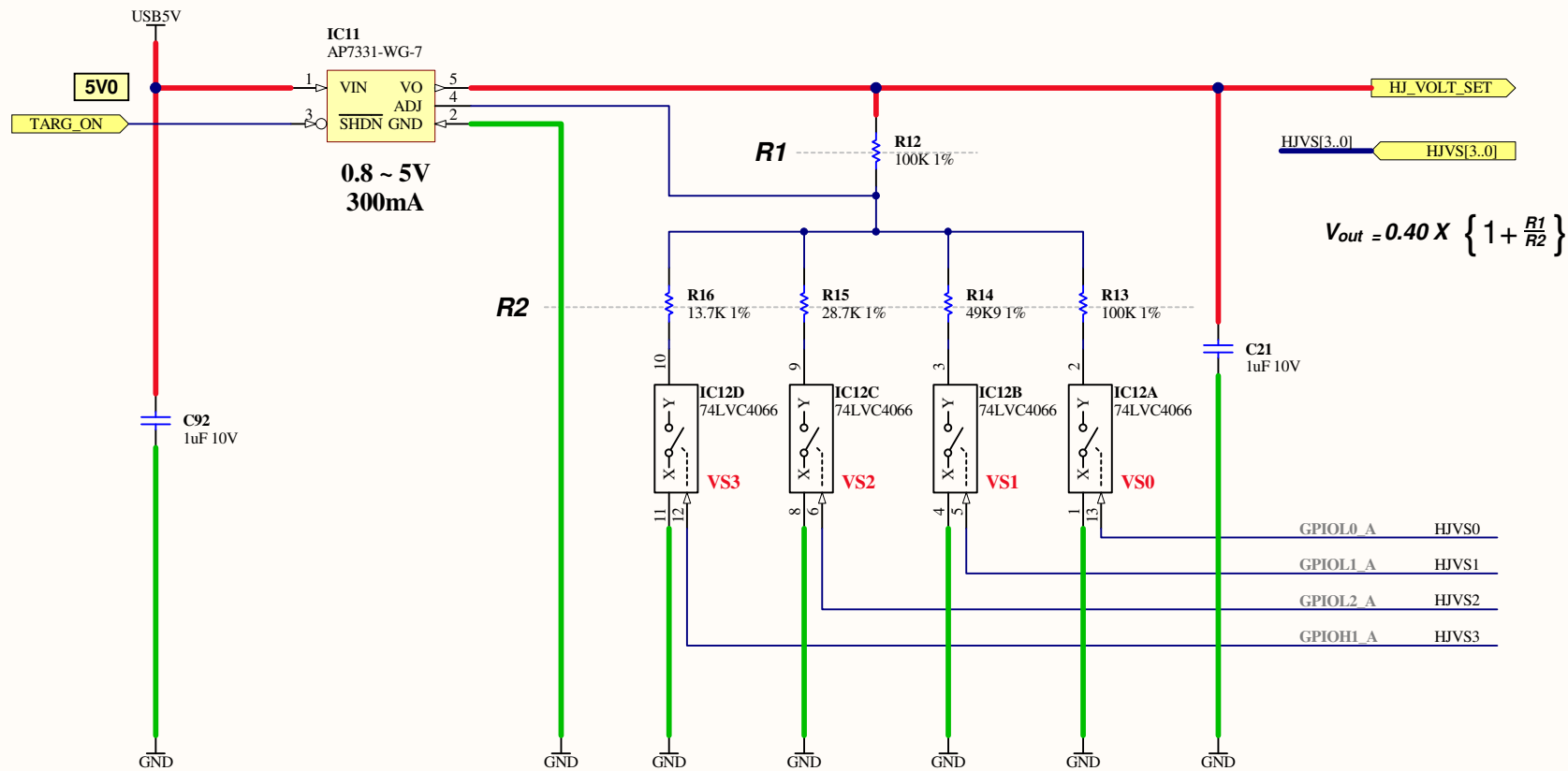
Sheet Title One-Wire Write/Read			<i>Altium Limited</i> L3, 12A Rodborough Road Frenchs Forest NSW 2086 Australia	
Project Title DT04 - USB JTAG Interface				
Size: A4	Assy: D-820-0014	Revision: 03		
Date: 9/22/2011	Time: 10:50:25 PM	Sheet 9 of 13		
File: TARGET_CTRL.SchDoc				

1

2

3

4

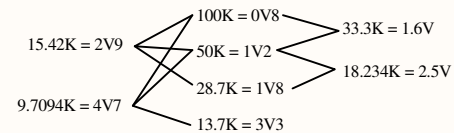


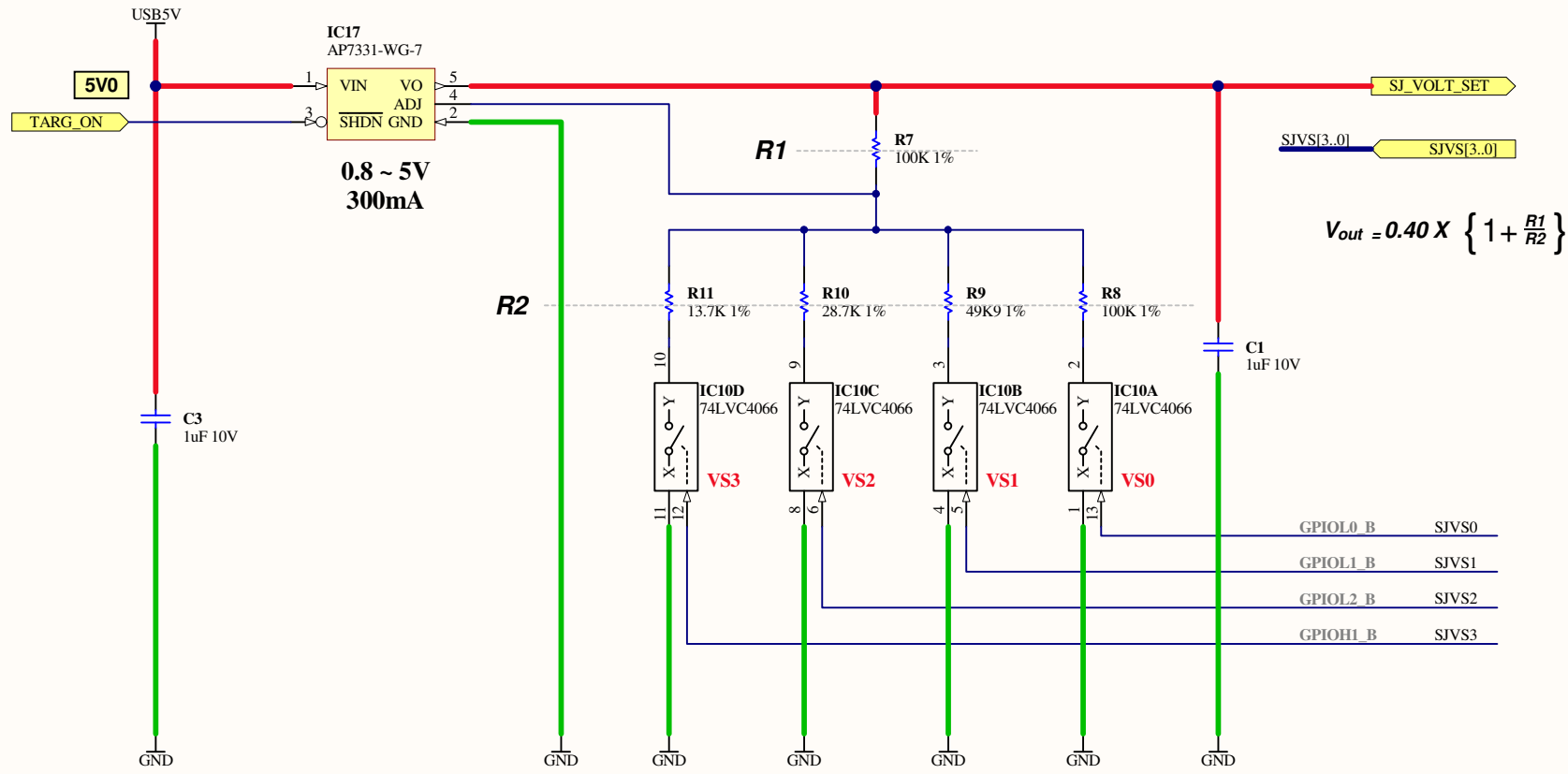
AVAILABLE STANDARD IO VOLTAGES

0.8V	0.8V
1.2V	1.2V
1.5V	1.6V
1.8V	1.8V
2.5V	2.5V
2.8V	2.9V
3.3V	3.3V
5.0V	4.5V

DIVIDER NETWORK CONFIG:

VCCT	VS3	VS2	VS1	VS0	RES
0.8V	0	0	0	1	100K
1.2V	0	0	1	0	50K
1.5V	0	0	1	1	33K3
1.8V	0	1	0	0	28K7
2.5V	0	1	1	0	18K2
2.8V	0	1	1	1	15K4
3.3V	1	0	0	0	13K7
5.0V	1	0	1	1	9K7



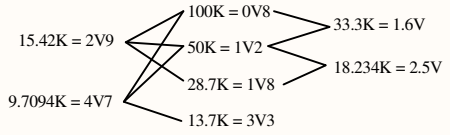


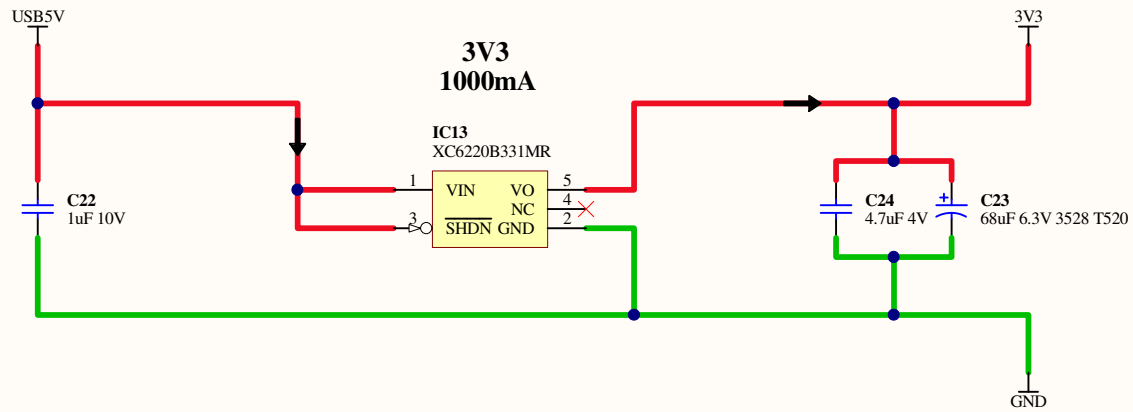
AVAILABLE STANDARD IO VOLTAGES


0.8V	0.8V
1.2V	1.2V
1.5V	1.6V
1.8V	1.8V
2.5V	2.5V
2.8V	2.9V
3.3V	3.3V
5.0V	4.5V

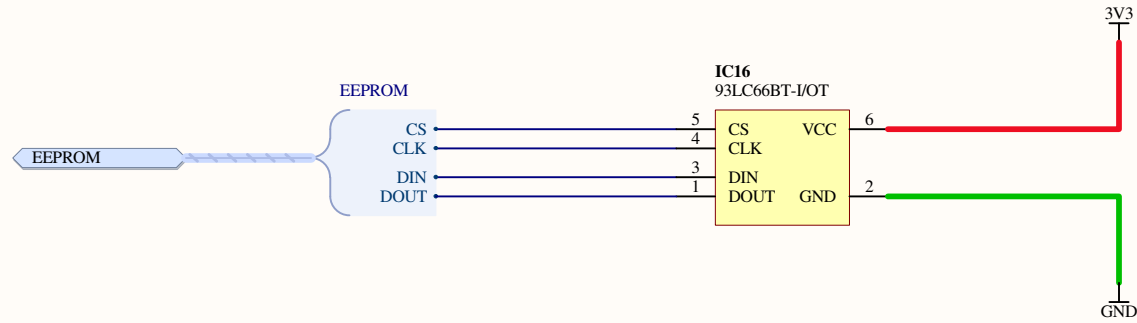
DIVIDER NETWORK CONFIG:

VCCT	VS3	VS2	VS1	VS0	RES
0.8V	0	0	0	1	100K
1.2V	0	0	1	0	50K
1.5V	0	0	1	1	33K3
1.8V	0	1	0	0	28K7
2.5V	0	1	1	0	18K2
2.8V	0	1	1	1	15K4
3.3V	1	0	0	0	13K7
5.0V	1	0	1	1	9K7





Sheet Title PSU TC1017R 3V3			<i>Altium Limited</i> L3, 12A Rodborough Road Frenchs Forest NSW 2086 Australia	
Project Title DT04 - USB JTAG Interface				
Size: A4	Assy: D-820-0014	Revision: 03		
Date: 9/22/2011	Time: 10:50:25 PM	Sheet 12 of 13		
File: PSU_XC6220B33_3V3.SchDoc				



93LC46BT-I/OT 1K 2.5V Microwire Serial EEPROM
 64 x 16-bit 1K bytes

93LC56BT-I/OT 2K 2.5V Microwire Serial EEPROM
 128 x 16-bit 2K bytes

DEFAULT

93LC66BT-I/OT 4K 2.5V Microwire Serial EEPROM
 256 x 16-bit 4K bytes

Title		
Size A4	Number	Revision
Date:	9/22/2011	Sheet of
File:	C:\Designs\...\EEPROM_93LC66.SchDoc	Drawn By: