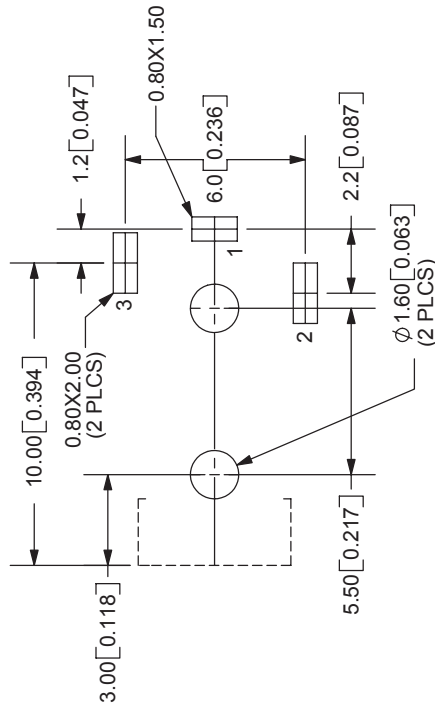
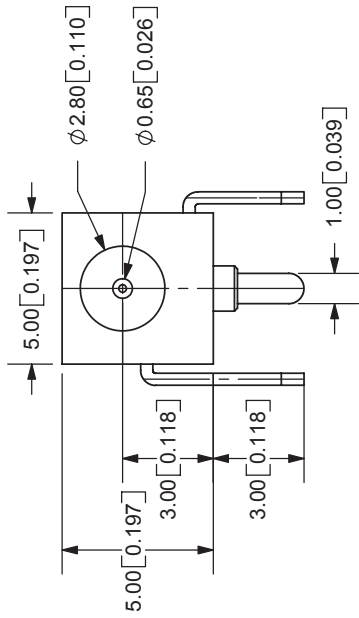
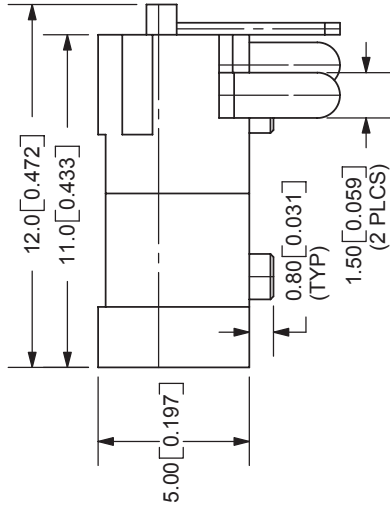


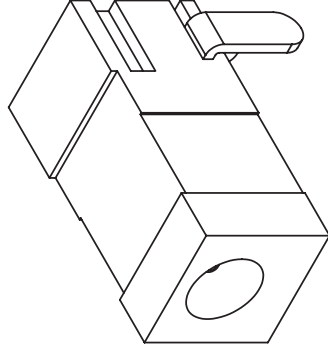
REV.	DESCRIPTION	DATE
A	NEW DRAWING	4/17/2006



PCBLAYOUT  
TOPVIEW

MODEL NO.	PJ1-022
SCHEMATIC	

CENTER PIN DIAMETER 0.65mm Dia.



TOLERANCE:  
X.X ±0.2mm  
X.XX ±0.1mm  
X.XXX ±0.05mm



9615 SW Allen Blvd., Ste. 103  
Beaverton, OR 97005  
Phone: 503-643-4899  
800-275-4899  
Fax: 503-372-1266  
Website: www.cui.com

SPECIFICATIONS:  
RATING: 16V DC @ 1A  
CONTACT RESISTANCE: 30m OHMS MAX  
INSULATION RESISTANCE: 50M OHMS MIN: 500V DC  
VOLTAGE WITHSTAND: 500V AC R.M.S. FOR 1 MINUTE  
LIFE: 5,000 CYCLES  
OPERATING TEMP: -25° ~ +85°C

	MATERIAL	PLATING
CENTER PIN	Brass	Silver
TERMINAL 1	Brass	Silver
TERMINAL 2	Copper Alloy	Silver
TERMINAL 3	Brass	Silver
HOUSING	PA66	

TITLE: 0.65mm DC POWER JACK, PCB MOUNT REV: A

PART NO: PJ1-022 UNITS: MM [INCHES]

DRAWN BY: ZRJ APPROVED BY: SCALE: 4:1