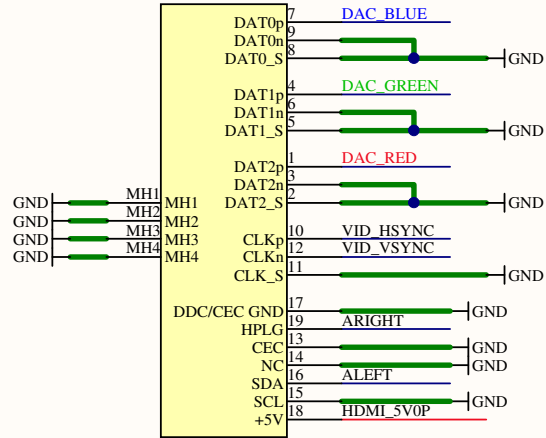


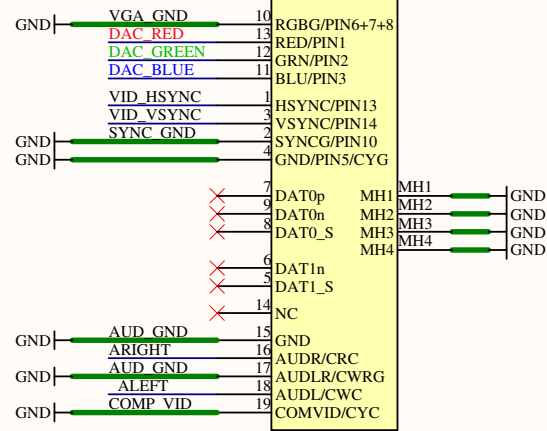
**CN11  
CONN\_HDMI**



**SVGA VIDEO IN**

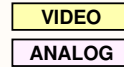


**CN12  
CONN\_HDMI**

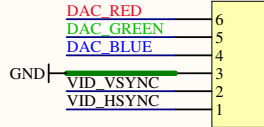


TO PIN 10 OF VGA  
TO PIN 5 OF VGA

**SVGA VIDEO OUT**



**CN13  
HDR1X6**



Title		
Size	Number	Revision
A4		
Date:	6/1/2015	Sheet of
File:	C:\Designs_250114\..VGA_ADPT1.SchD	